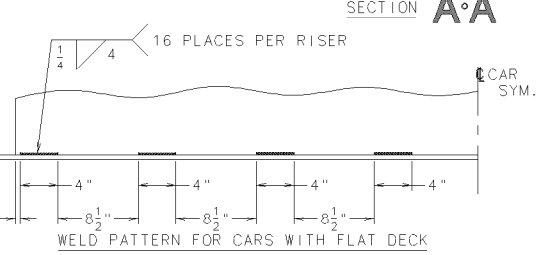
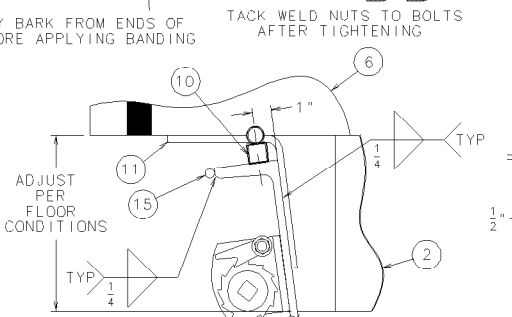
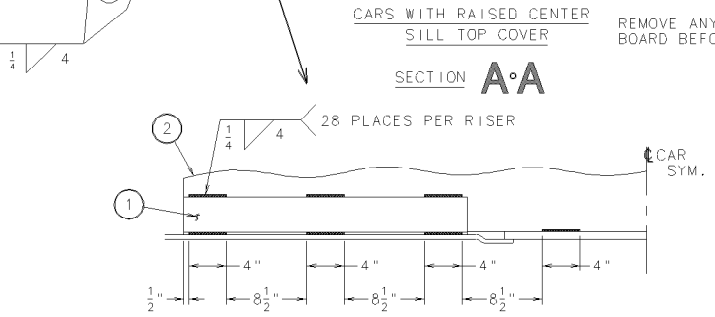
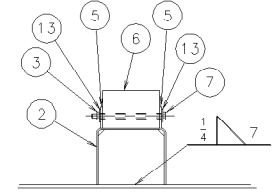
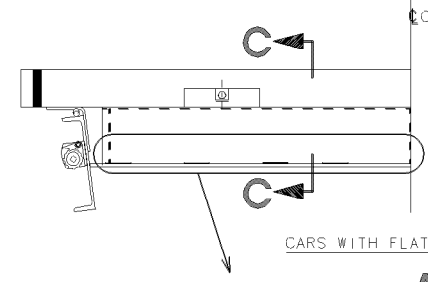
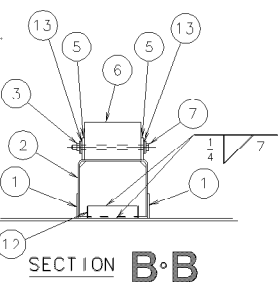
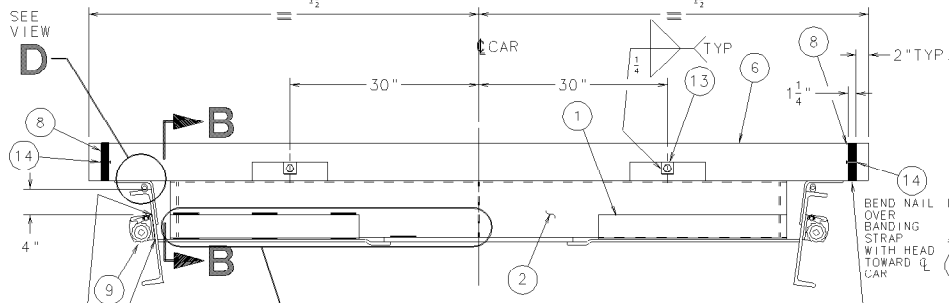
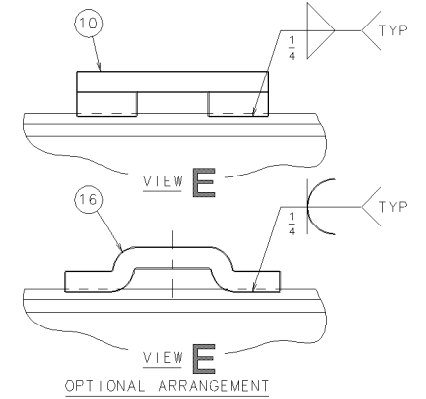
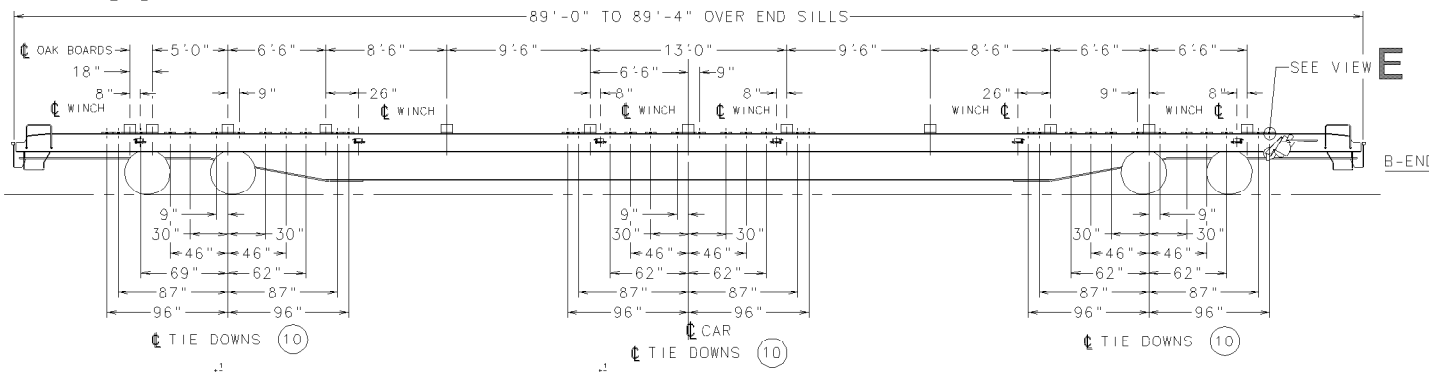
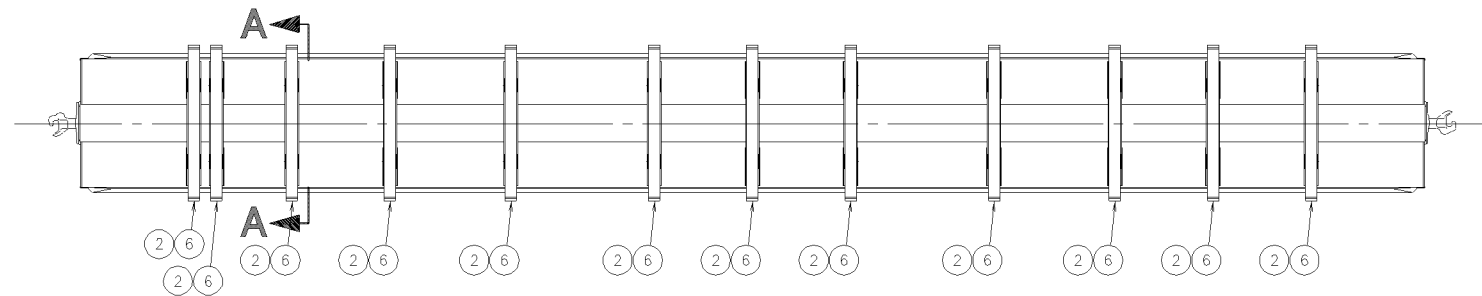


ITEM NO.	DRAWING NO.	REFERENCE NO.	DESCRIPTION	WEIGHT	QTY
1	A-10448		SLIP PLATE		48
2	B-10437		RISER ASSEMBLY		12
3	---		3/4" HEX NUT		24
4	---		---		---
5	---		---		---
6	A-10390		OAK BEAM		12
7	---		3/4" x 12" HEX BOLT		24
8	---		1 1/4" STEEL BANDING STRAP		24
9	---	A09952U	WINCH		12
10	A-10449		TIE DOWN		72
11	A-10436		RISER SUPPORT		24
12	A-10451		SLIP PLATE		24
13	A-10460		WASHER		48
14	---		NAIL - 16 PENNY		48
15	A-10467		WEBBING RCD		12
16	A-10464		TIE DOWN		72



D	ADDED OPTIONAL TIE DOWN VIEW E	11/21/97	BEK
C	ADDED RISER BOARD	10/24/97	BEK
B	ITEM 7 was 11"19, REMOVED		
B	"PROTECT" WINCH ITEM 9		
A	INITIAL ISSUE	08/01/97	BEK
	REVISIONS	05/09/98	BEK
		BATE	INT
TOLERANCE UNLESS + 1"			
OTHERWISE SPECIFIED T6			
RED.	REF. DWGS.		
SIZE			

MI/SL	EMP-17	01
APPLIES TO:	JTTX	
TTPX COMPANY CHICAGO, ILLINOIS		
GENERAL ARRANGEMENT SILL ABOVE PIPE CAR		
DR.	CH.	APP. DATE:
WRN	BEK	05/09/98

C-10447